

Products > Motor Protection Relays > MPC 6/1

MPC 6/1 Miniature Motor Protection Controller

Digital Motor Protection Controller

The MPC-6 is a new generation microprocessor based Motor Protection Controller, allowing for Protection, Control, and Supervision for single motors or motors operating through Motor Control Centers (MCC). Providing economic solution for a complete range of motors, the MPC-6 saves MCC wiring and provides real-time intelligent protection and control for all motor drawers connected to the PLC compartment. Thus, provides a meaningful cost-effective solution. The MPC-6 incorporates two main functions:

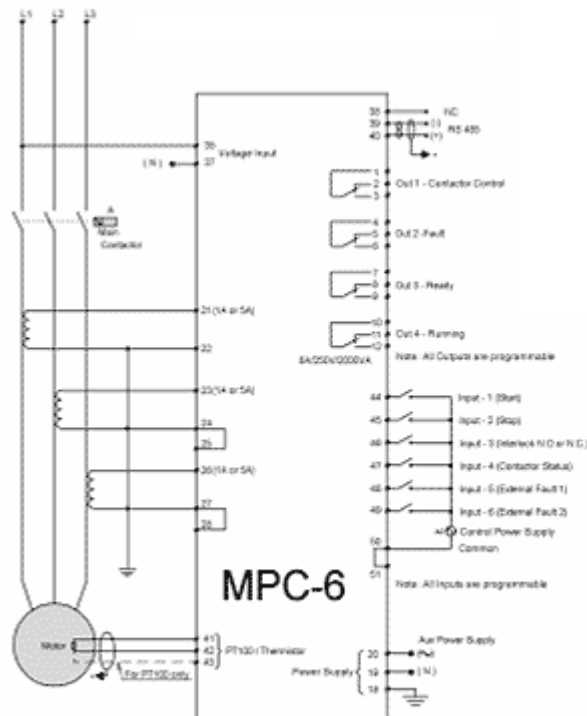
- Advanced, state of the art motor protection.
- Real time motor control, supervision and communication.



Advantages at glance

- Full motor control via "dry" inputs or comm.
- Clearly read LCD with full parameter display
- Smallest to include display in the control unit
- Excellent cost effective ratio
- Din standard casing
- Easy to install and simple to operate

Typical Wiring Diagram for MPC-6



Typical Installation in a Multi-Motor MCC

