

SOLSTART

Soft starters for AC motors up to 8A, 220-690V



For Every New Beginning You Need A Good Start

The Solstart is a compact soft starter designed for use with standard three-phase, three-wire squirrel cage motors in commercial applications.

Incorporating two triacs with built-in by-pass relays, the Solstart starts the motor by supplying a slowly increasing voltage, providing a soft start and smooth stepless acceleration. Soft stop, is included as standard.



SOLSTART



Solstart Features

Advantages at a Glance

- Reduced starting current inrush
- Reduced starting mechanical shock
- Soft, smooth, stepless acceleration and deceleration
- Maintenance free, high reliability, all solid state
- Compact and light weight
- DIN rail standard
- Easy installation and operation

Typical Applications

- Pumps in high rise buildings
- Fans and Blowers
- Small refrigeration and air conditioning systems
- Conveyors and monorail systems
- Machine tools
- Fluid pumps

Technical Specification

Ratings

Supply Voltage	220-400V, 480-690V
Frequency	50 / 60HZ
Maximum Motor Current	8A

Start Stop Functions

Initial Voltage	0 - 80% Un
Soft Start Ramp up time	1 - 5 Sec
Soft Stop Ramp down time	1 - 5 Sec

Display

Three Indication LEDs	Green - On
	Yellow - Starting / Stopping
	Green - Run

Control

Start Command	Voltage free contact (standard) 115, 230Vac (optional)
---------------	---

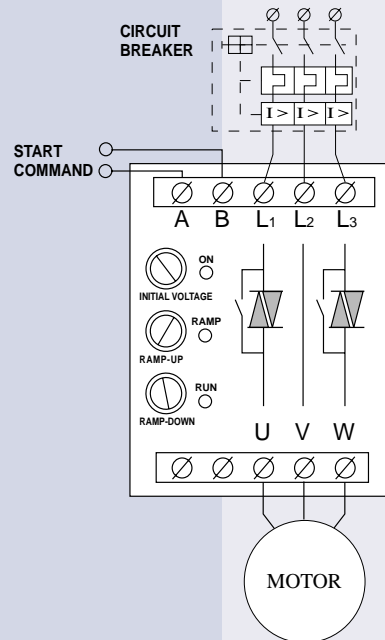
Construction

Degree of protection	IP20
Number of switched phases	Two, with internal by-pass relays
Mounting	DIN rail (optional 31-72A)

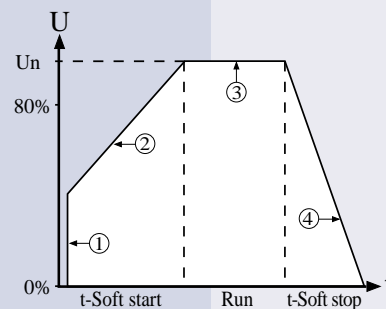
Environment

Operating temperature	0 - 40°C
Operating humidity	0 - 85%
Maximum starting conditions	60 per hour

Simple Wiring



Start-Stop Parameters



- ① Initial voltage
- ② Ramp-up time
- ③ Run (by-pass relay closed)
- ④ Ramp-down time

Dimensions

KW 400V	Starter Type Ampere	Solstart Dimensions (mm)			Wt. (Kg)
		W	H	D	
4	Solstart 8	45	75	105	0.42
7.5	Solstart 17	90	75	105	0.55
11	Solstart 22	90	75	105	0.65
15	Solstart 31	65	190	114	1.3
22	Solstart 44	65	190	114	1.3
30	Solstart 58	65	190	114	1.3

Additional Products

Additional catalogues available from Solcon's product range

RUS-DN

Low Voltage Digital Soft-Starter
8-2700A, 230-1000V



RUS-AX / RUS-DX

Analogue & Digital soft-starter



SOLSTART

Minimature soft-starter
For single & triple phase motors



RUS-BX / SEM-N

Basic electronic soft-starter
Basic electronic naval soft-starter



MPR 2000

Motor Protection Relay
Motor Protection Controller



MPC 2000

Motor Protection Relay
Motor Protection Controller



MPR 6

Motor Protection Relay



TPR 6

Temperature Protection Relay



DPM 10

Digital Power Meter



PFC 10

Reactive Power Factor Controller



SU 124

Generator Control & Protection



DGC 2000

Digital Generator Control & Protection



HTU

Restart Relay



SMB

DC Injection brake



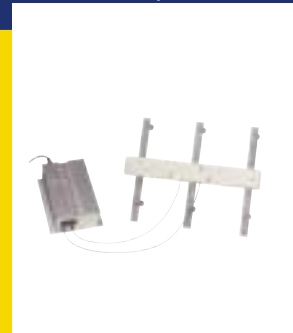
HRUS-DN

High Voltage Digital Soft-Starter



EPT

Electronic Potential Transformer
1000-14000V



Solcon Industries Ltd.
16 Haminhara Street, Herzliya 46586, Israel
Tel: 972-9-9588460, Fax: 972-9-9500799
E-mail : office@solcon.co.il
Internet : www.solcon.co.il

Solcon Industries Ltd.
6 Hacarmel Street, Yokneam Industrial Park 20692, Israel
Tel: 972-4-9890311, Fax: 972-4-9890233
E-mail : plant@solcon.co.il

