

TOSHIBA

VF-nC1

Ultra-Compact, Easy-To-Use Inverter TOSVERT™



Single-phase 100V class 0.1 to 0.75kW
Single-phase 200V class 0.2 to 2.2kW
Three-phase 200V class 0.1 to 2.2kW

TOSVERT is a trademark of Toshiba Corporation.

Compact, Easy-to-Use, Inverter for Small-Sized Machines!

The wide range of functions of the VF-nC1 meets various users' needs, from simple speed control to steady torque at low speed. The vertical contact-type main circuit terminal board and captive screws also ensure easy wiring.



1 POINT

Easy to Wire and Install



Like most internal power distribution and control devices, the VF-nC1 has a vertical main circuit terminal board for smoother installation in switchboards. Wiring set-up is further improved by the use of captive screws on the main circuit terminal board. The VF-nC1 may also be installed side by side to save space.

* This is a composite photograph.

2 POINT

Easy to Select



General-purpose Toshiba inverters have been developed for "Compliance with Global Standards." The three main series: the three-phase 200V, single-phase 200V and single-phase 100V series, comply with major international standards in addition, several series of European models with a built-in EMI noise filter are also available. All of them have a wide range of functions.



ISO 9001: VF-nC1 series is manufactured at the works, which has received the international quality assurance standard ISO 9001 certification.

ISO 14001: The works producing the VF-nC1 series is registered as an environment management system factory specified by ISO 14001.

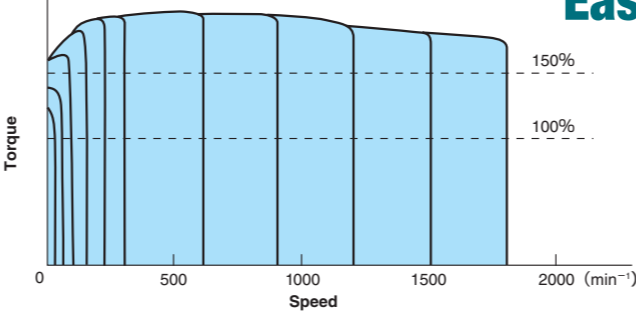
Type	Form
VFNC1S - 2007PL - W	
Model name TOSVERT VF-nC1 Series	Input voltage 1:100V~115V 2:200V~240V
Applicable motor capacity 001: 0.1kW 002: 0.2kW 004: 0.4kW 007: 0.75kW 015: 1.5kW 022: 2.2kW	Operation panel P: Provided
Number of power phases S: 1-phase None: 3-phase	Additional functions L: EMI filter inside
	Destination W: World wide -: Japan

Models and applicable motors

Voltage (Input/Rated Output)	Applicable Motor Capacity (kW)					
	0.1	0.2	0.4	0.75	1.5	2.2
1 φ 100V/3 φ 200V	[Bar chart showing applicable motor capacities]					
1 φ 200V/3 φ 200V	[Bar chart showing applicable motor capacities]					
3 φ 200V/3 φ 200V	[Bar chart showing applicable motor capacities]					
1 φ 200V/3 φ 200V (built-in EMI noise filter)	[Bar chart showing applicable motor capacities]					

3 POINT

Easy to Set Up and Operate



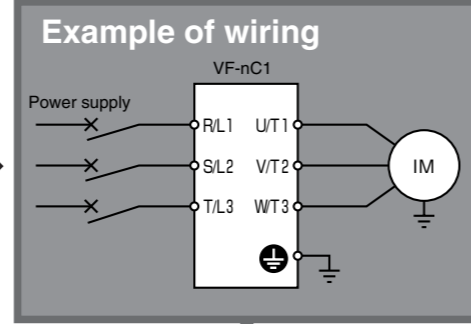
Ex. Sensorless Vector control (3 φ 200V-0.4kW)

Even novice inverter users can operate the VF-nC1 without difficulty by using the RUN and STOP keys and the frequency adjusting knob on the operation panel. The design also allows most functions be controlled from the input terminals. A wizard function helps users with complicated settings. Other functions, which allow easy operation of the VF-nC1, include a vector control function (which improves the torque characteristic), a PI control function (useful for fans and pumps), and a 15-speed preset function.

Contents

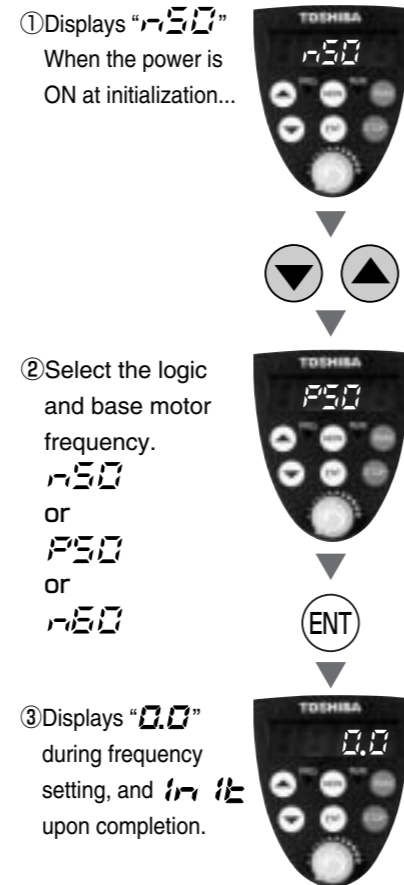
- Panel and operation procedure3
- Model and standard specifications5
- Standard specifications/outline drawing ...6
- Standard connection7
- Basic and extended parameters9
- To users of our inverters11
- Optional external devices12

Panel and operation procedure



The following configuration is available for VFNC1(S)-□□□□P□-W type.

Power ON (Set-up parameter)



Set-up parameter

Title	r50	P50	r60
F127	0	100	0
F409 / F171	220(V)	220(V)	230(V)
F417	1410(min ⁻¹)	1410(min ⁻¹)	1710(min ⁻¹)
FH, UL, ULF, 170, F204	50.0(Hz)	50.0(Hz)	60.0(Hz)

Monitor display

The LEDs on the operation panel display the following symbols to indicate operations and parameters.

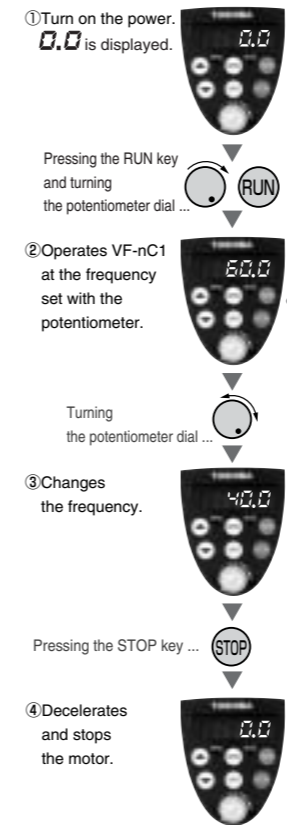
LED (number)

0	1	2	3	4	5	6	7	8	9	-
0	1	2	3	4	5	6	7	8	9	-

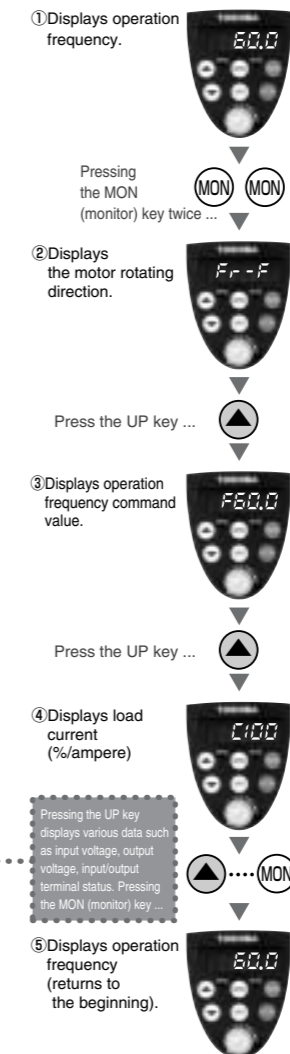
LED (alphabet)

Aa	Bb	C	c	Dd	Ee	Ff	Gg	H	h	I	i	Jj	Kk	Ll
R	b	C	c	d	E	F	G	H	h	i	i	U		L
Mm	Nn	O	o	Pp	Qq	Rr	Ss	Tt	Uu	Vv	Ww	Xx	Yy	Zz
n	n	o	o	p	q	r	s	t	u	v	w	x	y	

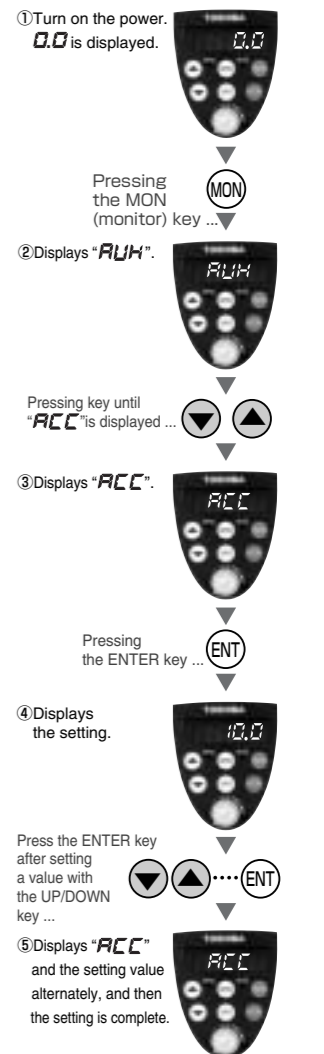
Operation



Monitoring



Setting



※ If you press the Enter key without changing the setting, the next parameter ("ACC") is displayed.

Item displayed	Key operated	LED display	Description
		60.0	The operation frequency is displayed (during operation). (When the standard monitor display selection parameter F710=0 is set at 0 (operation frequency).)
Parameter setting mode	(MON)	RUH	The first basic parameter "History function (RUH)" is displayed.
Direction of rotation	(MON)	F-F	The direction of rotation is displayed. (F: forward run, r: reverse run)
Operation frequency command	(▲)	F60.0	The operation frequency command value is displayed.
Load current	(▲)	C 80	The inverter output current is displayed. (Default setting: unit %)
Input voltage	(▲)	V 100	The inverter input voltage is displayed. (Default setting: unit %)
Output voltage	(▲)	P 100	The inverter output voltage is displayed. (Default setting: unit %)
Torque current	(▲)	t 88	The torque current is displayed in %.
PI feedback	(▲)	d 50	The PI feedback value is displayed. (Unit: Hz)
Inverter load factor	(▲)	L 80	The inverter load factor is displayed in %.
Output power	(▲)	H 80	The inverter output power is displayed in %.
Operation frequency	(▲)	o 60.0	The operation frequency is displayed (during operation).

Item displayed	Key operated	LED display	Description
Input terminal	(▲)	R IIII	The ON/OFF status of each of the control signal input terminals (F, R, S1, S2, VI/S3) is displayed in bits. ON: OFF:
Output terminal	(▲)	O III	The ON/OFF status of each of the control signal output terminals (FM/OUT, FL) is displayed in bits. ON: OFF:
CPU1 version	(▲)	v : :	The version of the CPU1 is displayed.
CPU2 version	(▲)	v c 0 :	The version of the CPU2 is displayed.
Memory version	(▲)	v e 0 :	The version of the memory mounted is displayed.
Past trip 1	(▲)	O C 3 ↔ 1	The past trip 1 (displayed alternately at 0.5-sec. intervals)
Past trip 2	(▲)	O H ↔ 2	The past trip 2 (displayed alternately at 0.5-sec. intervals)
Past trip 3	(▲)	O P 3 ↔ 3	The past trip 3 (displayed alternately at 0.5-sec. intervals)
Past trip 4	(▲)	r E r ↔ 4	The past trip 4 (displayed alternately at 0.5-sec. intervals)
Cumulative operation time	(▲)	t 0.0	The cumulative operation time is displayed. (0.01 corresponds to 1 hour.)

Note) 1. With the current unit selection parameter or voltage unit selection parameter, you can choose between percentage and ampere (A) for current and between percentage and volt (V) for voltage, respectively.

Model and standard specifications

Three-phase 200V

Item	Specification					
Input voltage	3-phase 200V					
Applicable motor (kW)	0.1	0.2	0.4	0.75	1.5	2.2
Rating	Type	VFNC1				
	Form	2001P	2002P	2004P	2007P	2015P
Capacity (kVA) Note 1)	0.3	0.6	1.0	1.6	2.9	3.9
Rated output current (A) Note 2)	0.7	1.4	2.4	4	7.5	10.0
Rated output voltage Note 3)	3-phase 200V to 240V					
Overload current rating	60 seconds at 150%					
Voltage-frequency	3-phase 200V to 240V - 50/60Hz					
Allowable fluctuation	Voltage +10%, -15% Note 4), frequency ±5%					
Protective method	IP20 Enclosed type (JEM 1030)					
Cooling method	Self-cooling			Forced air-cooled		
Color	Munsel 5Y8/0.5					
Charge lamp	LED indicating the charge status of the capacitor in the main circuit					

1-phase 200V

Item	Specification					
Input voltage	1-phase 200V					
Applicable motor (kW)	0.1	0.2	0.4	0.75	1.5	2.2
Rating	Type	VFNC1S				
	Form	—	2002P	2004P	2007P	2015P
Capacity (kVA) Note 1)	—	0.6	1.0	1.6	2.9	3.9
Rated output current (A) Note 2)	—	1.4	2.4	4	7.5	10.0
Rated output voltage Note 3)	3-phase 200V to 240V					
Overload current rating	60 seconds at 150%					
Voltage-frequency	1-phase 200V to 240V - 50/60Hz					
Allowable fluctuation	Voltage +10%, -15% Note 4), frequency ±5%					
Protective method	IP20 Enclosed type (JEM 1030)					
Cooling method	Self-cooling			Forced air-cooled		
Color	Munsel 5Y8/0.5					
Charge lamp	LED indicating the charge status of the capacitor in the main circuit					

1-phase 100V

Item	Specification					
Input voltage	1-phase 100V					
Applicable motor (kW)	0.1	0.2	0.4	0.75	1.5	2.2
Rating	Type	VFNC1S				
	Form	1001P	1002P	1004P	1007P	—
Capacity (kVA) Note 1)	0.3	0.6	1.0	1.6	—	—
Rated output current (A) Note 2)	0.7	1.4	2.4	4	—	—
Rated output voltage Note 3)	3-phase 200V to 230V					
Overload current rating	60 seconds at 150%					
Voltage-frequency	1-phase 100V to 115V - 50/60Hz					
Allowable fluctuation	Voltage +10%, -15% Note 4), frequency ±5%					
Protective method	IP20 Enclosed type (JEM 1030)					
Cooling method	Self-cooling			Forced air-cooled		
Color	Munsel 5Y8/0.5					
Charge lamp	LED indicating the charge status of the capacitor in the main circuit					

1-phase 200V (built-in EMI noise filter)

Item	Specification					
Input voltage	1-phase 200V (built-in EMI noise filter)					
Applicable motor (kW)	0.1	0.2	0.4	0.75	1.5	2.2
Rating	Type	VFNC1S				
	Form	—	2002PL	2004PL	2007PL	2015PL
Capacity (kVA) Note 1)	—	0.5	0.9	1.6	2.9	4.1
Rated output current (A) Note 2)	—	1.2	2.3	4	7.5	10.7
Rated output voltage Note 3)	3-phase 200V to 240V					
Overload current rating	60 seconds at 150%					
Voltage-frequency	1-phase 200V to 240V - 50/60Hz					
Allowable fluctuation	Voltage +10%, -15% Note 4), frequency ±5%					
Protective method	IP20 Enclosed type (JEM 1030)					
Cooling method	Self-cooling			Forced air-cooled		
Color	Munsel 5Y8/0.5					
Charge lamp	None					
Built-in filter	EMI noise filter (EN55011 Group1 ClassB)					

Note 1. Capacity is calculated at 220V for the 200V models.

Note 2. Indicates rated output current setting when the PWM carrier frequency (parameter F300) is 4kHz or less.

If the PWM carrier frequency setting is fixed above 4kHz, the rated current needs to be reduced. If the PWM carrier frequency is set above 4kHz, it could fall automatically if an over-current flaws during acceleration or for any other reason, depending on the amount of current that flows.

The default setting of the PWN carrier frequency is 12kHz.

Note 3. Maximum output voltage is the same as the input voltage. The maximum output voltage of a single-phase 100V model is proportional to the supply voltage.

With regard to 100V models, the output voltage may decrease about 10 to 20% if motor load is applied.

When operating VF-nC1 in conjunction with general purpose motor (200V), it is necessary to reduce the motor load.

Note 4. ±10% when the inverter is used continuously (load of 100%).

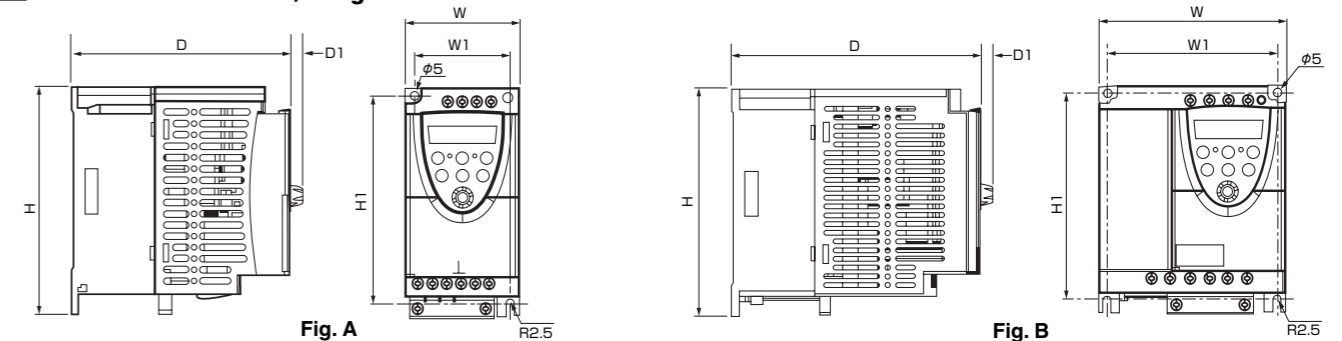
Standard specifications/outline drawing

Item	Specification	
Principal control functions	Control system	Sinusoidal PWM control
	Related output voltage	Adjustable of output voltage in base frequency setting by the correcting supply voltage (200V) (Unadjustable to any voltage higher than the input voltage).
	Output frequency range	0.5 to 200Hz, default setting: 0.5 to 80Hz, maximum frequency: 30 to 200Hz.
	Minimum setting steps of frequency	0.1Hz: operation panel setting, 0.2Hz: analog input (when the max. frequency is 100Hz).
	Frequency accuracy	Digital setting: within ±0.5% of the max. frequency (-10 to +50°C) Analog setting: within ±1.0% of the max. frequency (25 °C ± 10°C)
Operation specifications	Voltage/frequency characteristics	V/f, sensorless vector control, base frequency, base frequency voltage and torque boost amount adjustable
	Frequency setting signal	Volume on the front panel, external frequency volume (connectable to a volume with a rated impedance of 3-10kΩ), V1 terminal (input impedance: 42kΩ (voltage: 0-10Vdc) or 250Ω (current: 4-20mAdc)). The characteristic can be set arbitrarily by two-point setting.
	Start-up frequency/frequency jump	Adjustable within a range of 0.5 to 10Hz/Up to 1 frequency can be adjusted together with their widths.
	PWM carrier frequency	Selectable from among 2, 4, 8, 12 and 16kHz (Standard default setting: 12kHz)
	Acceleration/deceleration time	0.1 to 3000 seconds, switchable between acceleration/deceleration time 1 and 2.
	Retry operation	Number of times of retry selectable (Max. 10 times). If the protection function is activated, the retry function restarts on completion of a check of the main circuit.
	Electric control	Charging of capacitor (Deceleration time can be shortened by activating Forced Shortened Deceleration mode.)
	DC braking	Braking start-up frequency: 0 to maximum frequency, braking rate: 0 to 100%, braking time: 0 to 20 seconds.
	Input terminal functions (selectable)	Forward/reverse run input signal, jog run input signal, standby signal, preset-speed operation input signal, reset input signal, etc./Switching between sink/source.
	Output terminal functions (selectable)	Frequency lower limit output signal, frequency upper limit output signal, low-speed detection output signal, specified speed attainment output signal, etc. Open collector, RY output.
Protective function	Failure detection signal	1c-contact output: 250Vac/2A, cosφ = 0.4
	Output for frequency meter/output for ammeter	PWM output: (1mA dc full-scale DC ammeter or 7.5Vdc full-scale DC ammeter/Rectifier-type AC voltmeter, 225% current Max. 1mA dc, 7.5Vdc full-scale)
	Protective function	Stall prevention, current limitation, over-current, output short circuit, over-voltage, over-voltage limitation, undervoltage, ground fault, power supply phase failure, output phase failure overload protection by electronic thermal function, armature over-load at start-up, load-side over-torque at start, overheating prevention, detection of analog signal break.
	Protection against momentary power failure	Auto-restart/non-stop control after momentary power failure.
Display function	Electronic thermal characteristics	Switching between standard motor/constant-torque VF motor, overload trip, overload stall selection.
	4-digit 7-segments LED	Frequency: inverter output frequency. Alarm: stall alarm "P", overvoltage alarm "L", overheat alarm "H". Status: inverter status (frequency, cause of activation of protective function, input/output voltage, output current, etc.) and parameter settings. Free-unit display: arbitrary unit (e.g. rotating speed) corresponding to output frequency.
Environments	Indicator	Lamps indicating the inverter status by lighting, such as RUN lamp and PRG lamp.
	Use environments	Indoor, altitude: 1000m (Max.), not exposed to direct sunlight, corrosive gas, explosive gas or vibration (less than 5.9m/s ²) (10 to 55Hz).
	Ambient temperature	-10 to 50°C Note)1.2
	Storage temperature	-20 to +65°C
Relative humidity	20 to 93% (free from condensation and vapor).	

Note 1. Above 40°C: Remove the protective seal from the top of VF-nC1.

Note 2. Side-by-side installation : 40°C or less (Remove the protective seal from the top of VF-nC1).

External dimensions/weights



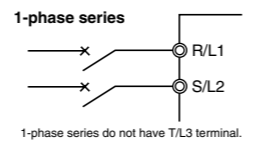
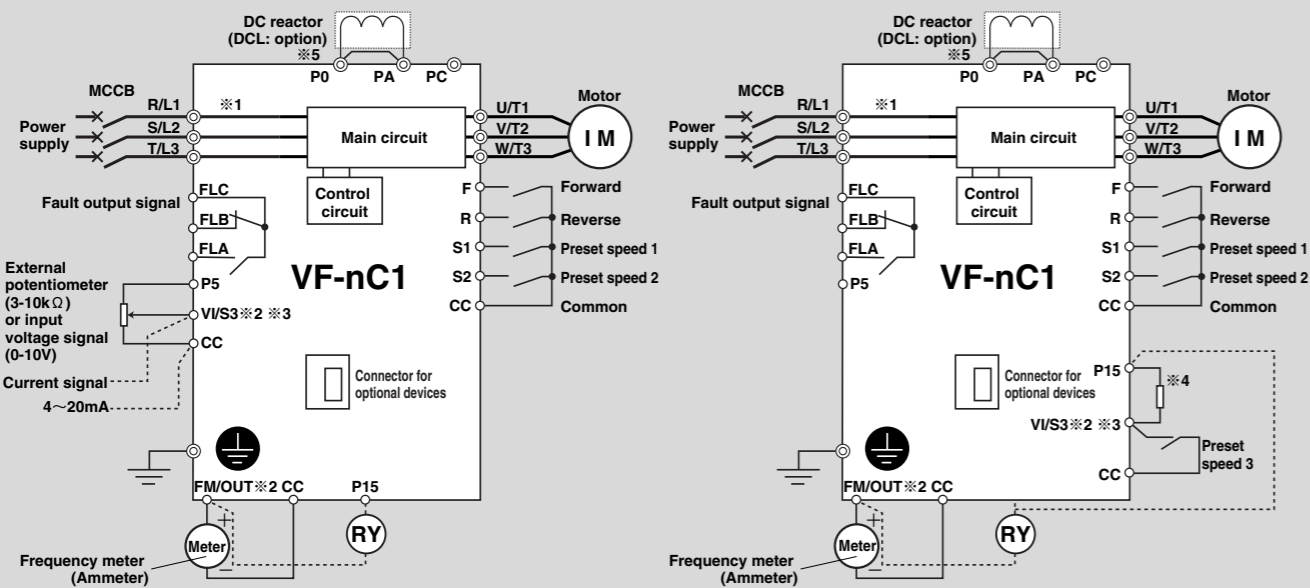
Input voltage	Applicable motor (kW)	Type	Dimensions (mm)				Drawing	Approx. weight (kg)
			W	H	D	W1		
1-phase 200V	0.2	VFNC1S-2002P	72	142	100	60	A	1.0
	0.4	VFNC1S-2004P			124			1.0
	0.75	VFNC1S-2007P			137			1.0
	1.5	VFNC1S-2015P	155		106	B		1.5
	2.2	VFNC1S-2022P						1.5
3-phase 200V	0.1	VFNC1-2001P	72	142	100	60	A	1.0
	0.2	VFNC1-2002P			124			1.0
	0.4	VFNC1-2004P			137			1.0
	0.75	VFNC1-2007P	155		106	B		1.5
	1.5	VFNC1-2015P						1.5
2.2	VFNC1-2022P	117	8.5					
1-phase 100V	0.1	VFNC1S-1001P	72	142	100	60	A	1.0
	0.2	VFNC1S-1002P			124			1.0
	0.4	VFNC1S-1004P			155			106
	0.75	VFNC1S-1007P	117		106	B		1.5
1.5	VFNC1S-2002PL	100						1.0
1-phase 200V (built-in EMI noise filter)	0.2	VFNC1S-2004PL	72	142	124	60	A	1.0
	0.4	VFNC1S-2007PL			137			1.0
	0.75	VFNC1S-2015PL			155			106
	1.5	VFNC1S-2022PL	117			1.5		

Standard connection

Standard connection Sink (common = CC)

■ When using VI/S3 terminal as an analog input terminal (F109: 0 or 1)

■ When using VI/S3 terminal as a logic input terminal (F109: 2)

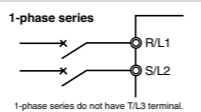
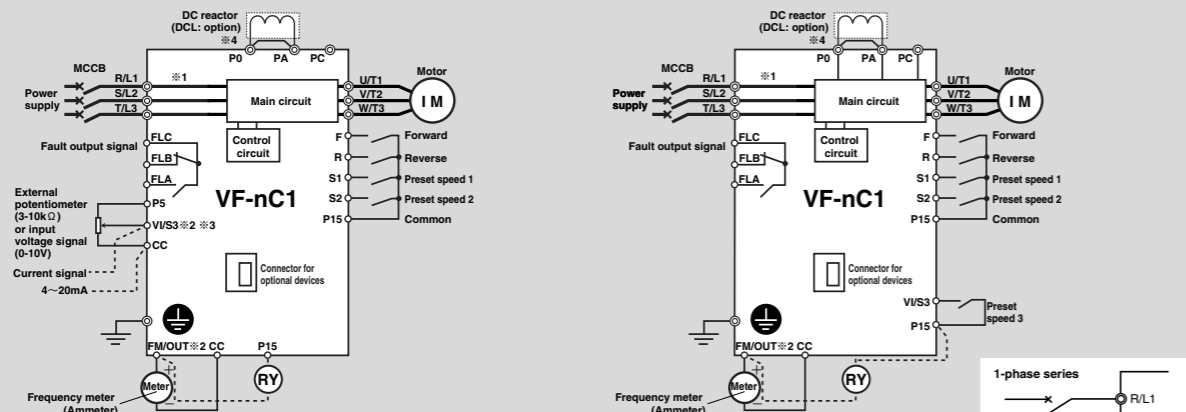


- ※1 : Only VFNC1S-□□□□PL has a built-in noise filter.
- ※2 : The terminal can be switched between FM/OUT and VI/S3 by changing a parameter.
- ※3 : The terminal can also be used as an input terminal by changing a parameter.
- ※4 : To use VI/S3 terminal as an input terminal, P15 and VI/S3 must be short-circuited with a resistor (recommended resistance: 4.7kΩ-1/4W).
- ※5 : 1-phase100V models cannot be used with DCL. 1-phase 200V models (with a built-in EMI noise filter) are not provided with PO terminal.

Source (common = P15)

■ When using VI/S3 terminal as an analog input terminal (F109: 0 or 1)

■ When using VI/S3 terminal as a logic input terminal (F109: 2)



- ※1 : Only VFNC1S-□□□□PL has a built-in noise filter.
- ※2 : The terminal can be switched between FM/OUT and VI/S3 by changing a parameter.
- ※3 : The terminal can also be used as an input terminal by changing a parameter.
- ※4 : 1-phase100V models cannot be used with DCL. 1-phase 200V models (with a built-in EMI noise filter) are not provided with PO terminal.

Main circuit

Terminal symbol	Terminal function
	Grounding terminal for connecting inverter case. 2 grounding terminals.
R/L1, S/L2, T/L3	100V class: 1-phase 100V to 115V - 50/60Hz 200V class: 1-phase 200V to 240V - 50/60Hz, 3-phase 200V to 240V - 50/60Hz ※1-phase series have R/L1 and S/L2 terminals.
U/T1, V/T2, W/T3	Connect to a (3-phase induction) motor.
PC	This is a negative potential terminal in the internal DC main circuit.
PO, PA	Terminals for connecting a DC reactor (DCL: optional external device). Shorted when shipped from the factory. Before installing DCL remove the short bar. 1-phase 100V models cannot be used with DC reactors. 1-phase 200V models with a built-in EMI noise filter are not provided with PO terminal.

Control circuit terminal (Sink (common: CC))

Terminal symbol	Input/output	Function	Specifications	Wire size	
F	Input	Multifunction programmable contact input	Dry contact input 15Vdc - 5mA or less Sink/source selectable by changing a parameter	Solid wire: 0.3 to 1.5 (mm) Stranded wire: 0.3 to 1.25 (mm) (AWG22 to 16) Sheath strip length: 5 (mm)	
R	Input				Shorting across R-CC causes reverse rotation; open causes slowdown and stop. (ST and CC are short-circuited.) * Shorting across R-CC/F-CC causes reverse rotation.
S1	Input				Shorting across S1-CC causes preset speed operation.
S2	Input				Shorting across S2-CC causes preset speed operation.
CC	Common to input/output	Control circuit's equipotential terminal.			
P5	Output	Power output for analog input setting.	5Vdc (permissible load current: 10mAdc)		
VI/S3	Input	Multifunction programmable analog input. Standard default setting: Analog input 0-10Vdc and frequency 0-80Hz. Possible to use as analog input (4 (0)-20mAdc) or contact input (programmable contact input) by changing a parameter.	10Vdc: (internal impedance: 42kΩ) 4-20mA: (internal impedance: 250Ω)		
FM/OUT	Output	Multifunction programmable meter output. Standard default setting: output frequency. Meters connectable to FM/OUT: 1mA full-scale ammeter or 7.5Vdc (10Vdc) full-scale voltmeter (PWM output). Possible to switch to programmable open collector output by changing a parameter.	1 mA full-scale DC ammeter or 7.5Vdc (10Vdc) full-scale DC voltmeter Open collector output: 24Vdc-50mA		
P15	Output	15Vdc power output.	15Vdc-100mA		
FLA FLB FLC	Output	Multifunction programmable relay contact output. Contact ratings: 250Vac - 2A (cosΦ=1), 30Vdc - 1A, 250Vac - 1A (cosΦ=0.4). Standard default setting: Monitoring of status of inverter's protection function. Activation of the protection function causes circuit FLA-FLC to close and circuit FLB-FLC to open.	250Vac-2A (cosΦ=1): at resistance load 30Vdc-1A 250Vac-1A (cosΦ=0.4)	Solid wire: 0.3 to 1.5 (mm) Stranded wire: 0.3 to 1.5 (mm) (AWG22 to 16) Sheath strip length: 6 (mm)	

Selection of wiring devices

Voltage class	Capacity applicable motor (kW)	Inverter model	Molded case circuit breaker (MCCB)	Magnetic contactor (MC) Note 1)	Wire size			
			Rated current (A)	Rated current (A)	Main circuit Note 2)	DCL	Grounding cable Note 4)	
1-phase 100V class	0.1	VFNC1S-1001P	5	11	AWG14/2.0mm ²	—	AWG12/3.5mm ²	
	0.2	VFNC1S-1002P	10	11	AWG14/2.0mm ²	—	AWG12/3.5mm ²	
	0.4	VFNC1S-1004P	15	11	AWG14/2.0mm ²	—	AWG12/3.5mm ²	
	0.75	VFNC1S-1007P	30	18	AWG14/3.5mm ²	—	AWG12/3.5mm ²	
1-phase 200V class	0.2	VFNC1S-2002P (L)	10	11	AWG14/2.0mm ²	AWG16/1.25mm ²	AWG12/3.5mm ²	
	0.4	VFNC1S-2004P (L)	15	11	AWG14/2.0mm ²	AWG16/1.25mm ²	AWG12/3.5mm ²	
	0.75	VFNC1S-2007P (L)	20	11	AWG14/2.0mm ²	AWG14/2.0mm ²	AWG12/3.5mm ²	
	1.5	VFNC1S-2015P (L)	30	18	AWG10/3.5mm ²	AWG14/2.0mm ²	AWG12/3.5mm ²	
3-phase 200V class	2.2	VFNC1S-2022P (L)	40	35	AWG10/5.5mm ²	AWG14/2.0mm ²	AWG10/5.5mm ²	
	0.1	VFNC1-2001P	5	11	AWG14/2.0mm ²	AWG16/1.25mm ²	AWG12/3.5mm ²	
	0.2	VFNC1-2002P	5	11	AWG14/2.0mm ²	AWG16/1.25mm ²	AWG12/3.5mm ²	
	0.4	VFNC1-2004P	5	11	AWG14/2.0mm ²	AWG16/1.25mm ²	AWG12/3.5mm ²	
	0.75	VFNC1-2007P	10	11	AWG14/2.0mm ²	AWG14/2.0mm ²	AWG12/3.5mm ²	
	1.5	VFNC1-2015P	15	11	AWG10/2.0mm ²	AWG14/2.0mm ²	AWG12/3.5mm ²	
		2.2	VFNC1-2022P	20	13	AWG10/2.0mm ²	AWG14/2.0mm ²	AWG12/3.5mm ²

Note 1) Be sure to attach surge killer to the exciting coil of the relay and the magnetic contactor.
Note 2) Size of the wires connected to the input terminals R, S and T and the output terminals U, V and W when the length of each wire does not exceed 30m.

Note 3) For the control circuit, use shielded wires.
Note 4) For grounding, use a cable with a size equal to or larger than the above.

Basic and extended parameters

Basic parameters

Title	Function	Adjustment range	Default setting		
ALH	History function	Function of displaying 5 parameters grouped into one in the order of change * Parameters can be edited within a group, too.			
AUF	Wizard function	0:— 1: Basic setting wizard 2: Preset speed operation wizard 3: Analog signal operation wizard 4: Motor 1/2 switching operation wizard 5: Torque up wizard *1	0		
CNDd	Command mode selection	0: Terminal board 1: Operation panel	1		
FNDd	Frequency setting mode selection	0: Terminal board 1: Operation panel 2: Internal potentiometer 3: Serial communication 4: Terminal board/internal volume switching	2		
FNSL	FM/OUT terminal functions selection	-1: Open collector output 0: Output frequency 1: Output current 2: Set frequency 3: For adjustment (current fixed at 100%) 4: For adjustment (current fixed at 50%) 5: For adjustment (output of max. frequency) 6: For adjustment (display of gain)	0		
FN	Meter adjustment	—	—		
ESP	Standard setting mode selection	0:— 1: Set at 50Hz 2: Set at 60Hz 3: Default setting 4: Trip clear 5: Cumulative operation time clear	0		
FR	Forward/reverse selection (Operation panel)	0: Forward run 1: Reverse run	0		
ACC	Acceleration time 1 (s)	0.1—3000 (s)	10.0		
DEC	Deceleration time 1 (s)	0.1—3000 (s)	10.0		
FH	Maximum frequency (Hz)	30.0—200 (Hz)	*2		
UL	Upper limit frequency (Hz)	0.5—FH(Hz)	*2		
LL	Lower limit frequency (Hz)	0.0—UL (Hz)	0.0		
UL	Base frequency 1 (Hz)	25—200 (Hz)	*2		
PL	V/f control mode selection	0 (1.2): V/f 3: Sensorless vector control	0		
UB	Torque boost 1 (%)	0.0—30.0 (%)	*3		
THR	Motor thermal protection level 1 (%)	30—100 (%)	100		
OLN	Electric thermal protection characteristics *4	Setting	Overload protection	Overload stall	0
		0	○	×	
		1	○	○	
		2	×	×	
		3	×	○	
		4	○	×	
		5	○	○	
		6	×	×	
	7	×	○		
SR1	Preset speed operation frequencies 1 (Hz)	LL—UL (Hz)	0.0		
SR2	Preset speed operation frequencies 2 (Hz)	LL—UL (Hz)	0.0		
SR3	Preset speed operation frequencies 3 (Hz)	LL—UL (Hz)	0.0		
SR4	Preset speed operation frequencies 4 (Hz)	LL—UL (Hz)	0.0		
SR5	Preset speed operation frequencies 5 (Hz)	LL—UL (Hz)	0.0		
SR6	Preset speed operation frequencies 6 (Hz)	LL—UL (Hz)	0.0		
SR7	Preset speed operation frequencies 7 (Hz)	LL—UL (Hz)	0.0		
F---	Extended parameter	—	—		
GRU	Search for changed settings	—	—		

*1: This parameter is valid only for VFNC1(S)-□□□□□□-W type.
*2: The value is changed according to the set-up parameter condition. (refer to page 3)
*3: Parameter values vary depending on the capacity.
*4: ○:Applicable, ×:Inapplicable

Extended parameters

●Input parameters

Title	Function	Adjustment range	Default setting
F100	Low speed signal output frequency (Hz)	0.6—FH (Hz)	0.6
F101	Speed-reach setting frequency (Hz)	0.0—FH (Hz)	0.0
F109	Analog input/logic input function selection (V/S3)	0: Voltage signal input (0-5or10V) 1: Current signal input (4-20mA) 2: Contact input	0
F110	Always active function selection	0-40, 49, 54-57	1 (ST)
F111	Input terminal selection 1 (F)	0-40, 49, 54-57	2 (F)
F112	Input terminal selection 2 (R)	0-40, 49, 54-57	3 (R)
F113	Input terminal selection 3 (S1)	0-40, 49, 54-57	6 (SS1)
F114	Input terminal selection 4 (S2)	0-40, 49, 54-57	7 (SS2)
F115	Input terminal selection 5 (V/S3) *5	5~17	8 (SS3)
F127	Sink/Source selection	0: Sink, 100: Source, 1-99, 101-200: Disabled	*2
F130	Output terminal selection 1 (FM/OUT) *6	0—13	4 (LOW)
F132	Output terminal selection 3 (FL)	0—13	10 (FL)
F170	Base frequency 2 (Hz)	25—200 (Hz)	*2
F171	Base frequency voltage 2 (V)	50—500 (V)	*2
F172	Torque boost 2 (%)	0.0—30.0 (%)	*1
F173	Motor thermal protection level 2 (%)	30—100 (%)	100

*5: This function is enabled if F109 is set at 2 (logic input).
*6: This function is enabled if FMSL (open collector output) is set at -1.

●Frequency parameters

Title	Function	Adjustment range	Default setting
F201	V/S3 reference point 1 setting (%)	0—100 (%)	0
F202	V/S3 point 1 frequency (Hz)	0—200 (Hz)	0.0
F203	V/S3 reference point 2 setting (%)	0—100 (%)	100
F204	V/S3 point 2 frequency (Hz)	0—200 (Hz)	*2
F240	Starting frequency setting (Hz)	0.5—10.0 (Hz)	0.5
F241	Operation starting frequency (Hz)	0.0—FH (Hz)	0.0
F242	Operation starting frequency hysteresis (Hz)	0.0—FH (Hz)	0.0
F250	DC braking starting frequency (Hz)	0.0 (OFF), 0.1—FH (Hz)	0.0
F251	DC braking current (%)	0.0, 1—100 (%)	50
F252	DC braking time (s)	0.0 (OFF), 0.1—20 (s)	1.0
F270	Jump frequency (Hz)	LL—UL (Hz)	0.0
F271	Jumping width (Hz)	0.0—30.0 (Hz)	0.0
F287	Preset speed operation frequencies 8 (Hz)	LL—UL (Hz)	0.0
F288	Preset speed operation frequencies 9 (Hz)	LL—UL (Hz)	0.0
F289	Preset speed operation frequencies 10 (Hz)	LL—UL (Hz)	0.0
F290	Preset speed operation frequencies 11 (Hz)	LL—UL (Hz)	0.0
F291	Preset speed operation frequencies 12 (Hz)	LL—UL (Hz)	0.0
F292	Preset speed operation frequencies 13 (Hz)	LL—UL (Hz)	0.0
F293	Preset speed operation frequencies 14 (Hz)	LL—UL (Hz)	0.0
F294	Preset speed operation frequencies 15 (Hz)	LL—UL (Hz)	0.0

●Operation mode parameters

Title	Function	Adjustment range	Default setting
F300	PWM carrier frequency	0: 2kHz 1: 2kHz (Random mode) 2: 4kHz 3: 4kHz (Random mode) 4: 8kHz (auto-reduction mode) 5: 12kHz (auto-reduction mode) 6: 16kHz (auto-reduction mode)	5
F301	Auto-restart control selection	0: Disabled 1: At auto-restart after momentary stop 2: When turning ST-CC on or off 3: At auto-restart after momentary stop or when turning ST-CC on or off	0
F302	Regenerative power ride-through control	0: Disabled 1: Enabled 2: Deceleration stop	0
F303	Retry selection (Number of times)	0 (OFF), 1 - 10	0
F305	Over voltage limit operation	0: Disabled 1: Enabled 2: Enabled (forced shortened deceleration)	0
F360	PI control	0: Disabled, 1: Enabled	0
F362	Proportional (P) gain	0.01—100.0	0.30
F363	Integral (I) gain	0.01—100.0	0.20

●Torque boost parameters

Title	Function	Adjustment range	Default setting
F401	Slip frequency gain	0—150 (%)	50
F409	Base frequency voltage 1 (V)	50—500 (V)	*2
F415	Motor rated current	0.1—50.0 (A)	*3
F416	Motor no-load current	30—80 (%)	*3
F417	Motor rated speed	100—12000 (min ⁻¹)	*2
F418	Speed control gain	0—100 (%)	40
F419	Speed control stable coefficient	0—100 (%)	20

●Acceleration/deceleration time parameters

Title	Function	Adjustment range	Default setting
F500	Acceleration time 2 (s)	0.1—3000 (s)	10.0
F501	Deceleration time 2 (s)	0.1—3000 (s)	10.0
F505	Acceleration/deceleration 1 and 2 switching frequency	0—UL (Hz)	0.0

●Protection parameters

Title	Function	Adjustment range	Default setting
F601	Stall prevention level	30—199 (%) 200 (disabled)	150
F602	Inverter trip retention selection	0: Not retained, 1: Retained	0
F603	External input trip stop mode selection	0: Coast stop 1: Slowdown stop 2: Emergency DC braking	0
F605	Output phase failure detection mode selection	0: Disabled 1: Selected (Output open-phase is checked when operation is started for the first time after power is turned on.) 2: Selected (Output open-phase is checked each time operation is started.)	0
F607	Motor 150%-overload time limit	10—800 (s)	300
F608	Input phase failure detection mode selection	0: Disabled, 1: Enabled	1
F616	Over-torque alarm level	0—200 (%)	150
F618	Over-torque detection time	0.0—10 (s)	0.5
F627	Under voltage trip selection	0: Disabled 1: Enabled (64% or less: Trip, FL relay activated) 2: Disabled (50% or less: Trip, FL relay not activated)	0
F633	Analog input disconnection detection	0 (Disabled), 1—100 (%)	0

●Operation panel parameters

Title	Function	Adjustment range	Default setting
F700	Prohibition of change parameter setting	0: Permitted (CNDd, FNDd cannot be changed during operation.) 1: Prohibited 2: Permitted (CNDd, FNDd also can be changed during operation) 3: Prohibited (except for panel frequency setting.) 4: 0 & panel emergency stop prohibited 5: 1 & panel emergency stop prohibited 6: 2 & panel emergency stop prohibited 7: 3 & panel emergency stop prohibited	0
F701	Unit selection	0: %, H z 1: %→A/V 2: Free unit selection enabled (F702) 3: %→A/V, Free unit selection enabled (F702)	0
F702	Frequency units selection	0.01—200.0	1.00
F710	Monitor display selection	0: Operation frequency (Hz/free unit) 1: Frequency command (Hz/free unit) 2: Output current (%A)	0

●Communication parameters

Title	Function	Adjustment range	Default setting
F800	Communication baud rate	0: 1200bps 1: 2400bps 2: 4800bps 3: 9600bps 4: 19200bps	3
F801	Parity	0: NON (non-parity) 1: EVEN (even parity) 2: ODD (odd parity)	1
F802	Inverter number	0—99	0
F803	Communication error trip time	0 (Disabled), 1—100 (s)	0
F880	Free notes	0—65535	0

●Factory setting

Title	Function	Adjustment range	Default setting
F990	For factory setting	—	—

Input terminal functions

Function No.	Code	Function	Action
0	—	No function is assigned	No action
1	ST	Standby terminal	ON: Standby, OFF: Free run
2	F	Forward-run command	ON: Forward run, OFF: Deceleration stop
3	R	Reverse-run command	ON: Reverse run, OFF: Deceleration stop (priority to reverse run)
4	JOG	Jog run command	ON: Jog run, OFF: Canceled
5	AD2	Acceleration/deceleration 2 pattern selection	ON: Acceleration/deceleration 2, OFF: Acceleration/deceleration 1
6	SS1	Preset speed command 1	Selection of preset speeds (up to 15 speeds) using 4 bits: SS1 to SS4
7	SS2	Preset speed command 2	
8	SS3	Preset speed command 3	
9	SS4	Preset speed command 4	
10	RST	Reset command	ON→ OFF: Trip reset
11	EXT	Trip stop command from external input device	ON: E Trip stop
12	PNL/TB	Operation panel/terminal board switching	ON: Forced switching from operation panel/internal volume to terminal board control
13	DB	DC braking command	ON: DC braking
14	PI	Prohibition of PI control	ON: PI control prohibited, OFF: PI control permitted
15	PWENE	Permission of parameter editing	ON: Edition of parameters permitted, OFF: Edition of parameter prohibited
16	ST+RST	Combination of standby and reset commands	ON: Simultaneous input of ST and RST commands
17	ST+PNL/TB	Combination of standby and operation panel/terminal board switching	ON: Simultaneous input of ST and PNL/TB commands
18	F+JOG	Combination of forward run and jog run	ON: Simultaneous input of F and JOG commands
19	R+JOG	Combination of reverse run and jog run	ON: Simultaneous input of R and JOG commands
20	F+AD2	Combination of forward run and acceleration/deceleration 2	ON: Simultaneous input of F and AD2 commands
21	R+AD2	Combination of reverse run and acceleration/deceleration 2	ON: Simultaneous input of R and AD2 commands
22	F+SS1	Combination of forward run and preset-speed command 1	ON: Simultaneous input of F and SS1 commands
23	R+SS1	Combination of reverse run and preset-speed command 1	ON: Simultaneous input of R and SS1 commands
24	F+SS2	Combination of forward run and preset-speed command 2	ON: Simultaneous input of F and SS2 commands
25	R+SS2	Combination of reverse run and preset-speed command 2	ON: Simultaneous input of R and SS2 commands
26	F+SS3	Combination of forward run and preset-speed command 3	ON: Simultaneous input of F and SS3 commands
27	R+SS3	Combination of reverse run and preset-speed command 3	ON: Simultaneous input of R and SS3 commands
28	F+SS4	Combination of forward run and preset-speed command 4	ON: Simultaneous input of F and SS4 commands
29	R+SS4	Combination of reverse run and preset-speed command 4	ON: Simultaneous input of R and SS4 commands
30	F+SS1+AD2	Combination of forward run, preset-speed command 1 and acceleration/deceleration 2	ON: Simultaneous input of F, SS1 and AD2 commands
31	R+SS1+AD2	Combination of reverse run, preset-speed command 1 and acceleration/deceleration 2	ON: Simultaneous input of R, SS1 and AD2 commands
32	F+SS2+AD2	Combination of forward run, preset-speed command 2 and acceleration/deceleration 2	ON: Simultaneous input of F, SS2 and AD2 commands
33	R+SS2+AD2	Combination of reverse run, preset-speed command 2 and acceleration/deceleration 2	ON: Simultaneous input of R, SS2 and AD2 commands
34	F+SS3+AD2	Combination of forward run, preset-speed command 3 and acceleration/deceleration 2	ON: Simultaneous input of F, SS3 and AD2 commands
35	R+SS3+AD2	Combination of reverse run, preset-speed command 3 and acceleration/deceleration 2	ON: Simultaneous input of R, SS3 and AD2 commands
36	F+SS4+AD2	Combination of forward run, preset-speed command 4 and acceleration/deceleration 2	ON: Simultaneous input of F, SS4 and AD2 commands
37	R+SS4+AD2	Combination of reverse run, preset-speed command 4 and acceleration/deceleration 2	ON: Simultaneous input of R, SS4 and AD2 commands
38	FCHG	Frequency command forced switching	Enabled if FMOd = 4 (selectable between terminal board and operation panel/internal volume) ON: V terminal, OFF: Internal volume
39	THR2	No.2 thermal switching	ON: No.2 thermal (PE:0, F170, F171, F172, F173) OFF: No.1 thermal (PE:Setting, UL, F409, UB, THR)
40	MCHG	No.2 motor switching	ON: No.2 motor (PE:0, F170, F171, F172, F173, F500, F501) OFF: No.1 motor (PE:Setting, UL, F409, UB, THR, ACC, DEC)
49	HD	Operation holding (stop of 3-wire operation)	ON: F(forward run) / R(reverse run) hold.3-wire operation OFF: Slowdown stop
54	FreeRun	Standby (inversion)	ON: Free run, OFF: Standby
55	RSTN	Reset signal (inversion)	OFF→ON: Trip reset
56	F+ST	Combination of forward run and standby commands	ON: Simultaneous input of F and ST commands
57	R+ST	Combination of reverse run and standby commands	ON: Simultaneous input of R and ST commands

Output terminal functions

Function No.	Code	Function	Action
0	LL	Frequency lower limit	ON: Output frequency higher than LL setting OFF: Output frequency equal to or lower than LL setting
1	LLN	Inversion of frequency lower limit	Inverse output of LL
2	UL	Frequency upper limit	ON: Output frequency equal to or higher than UL setting OFF: Output frequency lower than UL setting
3	ULN	Inversion of frequency upper limit	Inverse output of UL
4	LOW	Low-speed detection signal	ON: Output frequency equal to or higher than F100 setting OFF: Output frequency lower than F100 setting
5	LOWN	Inversion of low-speed detection signal	Inverse output of LOW
6	RCH	Designated frequency reach signal (completion of acceleration/deceleration)	ON: Output frequency within command frequency ±2.5Hz OFF: Output frequency exceeding command frequency ±2.5Hz
7	RCHN	Inversion of designated frequency reach signal (inversion of completion of acceleration/deceleration)	Inverse output of RCH
8	RCHF	Set frequency reach signal	ON: Output frequency within F101 setting ±2.5Hz OFF: Output frequency exceeding F101 setting ±2.5Hz
9	RCHFN	Inversion of set frequency reach signal	Inverse output of RCHF
10	FL	Failure FL (trip output)	ON: Inverter trips
11	FLN	Inversion of failure FL (inversion of trip output)	Inverse output of FL
12	OT	Over-torque detection	ON: Torque current is held above the torque set with F616 for a period of time longer than that set with F618
13	OTN	Inversion of over-torque detection	Inverse output of OT

To users of our inverters

When studying how to use our inverters

Notes

Leakage current

The amount of leakage current could increase to some extent, depending on the way the inverter is grounded. To prevent current leakage:

- (1) Use an ELCB free of higher harmonic waves.
- (2) When connecting multiple inverters to the same ELCB, use an ELCB with high current sensitivity.
- (3) Connect the inverter to a motor, using a cable as short as possible.
- (4) Leakage current could increase by installing noise filter.

VFNC1S-□□□□PL has a built-in noise filter.

Radio interference

This inverter could cause interference with nearby audio systems. If interference occurs, its influence can be reduced by installing a noise filter (optional) on the primary side of the inverter or by shielding the cable connecting the inverter to a motor with a conduit, etc.

For further information, please contact your nearest Toshiba dealer.

Power factor improvement capacitors

Do not install a power factor improvement capacitors on the input or output side of the inverter.

Installing a power factor improvement capacitor on the input or output side causes current containing harmonic components to flow into the capacitor, adversely affecting the capacitor itself or causing the inverter to trip. To improve the power factor, install an input AC reactor or a DC reactor (optional) on the primary side of the inverter.

Installation of input AC reactors

These devices are used to improve the input power factor and suppress high harmonic currents and surges. Install an input AC reactor when using a VF-nC1 inverter under the following conditions:

- (1) When the power source capacity is 200kVA or more, and when it is 10 times or more great than the inverter capacity.
- (2) When the inverter is connected to the same power distribution system as a thyristor-committed control equipment.
- (3) When the inverter is connected to the same power distribution system as that of distorted wave-producing systems, such as arc furnaces and large-capacity inverters.

Standard replacement intervals of main parts

The table below lists standard component replacement intervals under normal operating conditions (i.e., average year round ambient temperature of 30 °C, load ratio of 80% or less, average operation time of 12 hours/day). The replacement intervals do not indicate the service life of each component, but the number of years beyond which the failure rate of a component used without being replaced increases sharply because of deterioration and wear.

Component name	Standard replacement intervals	Replacement method, etc.
Cooling fan	2 to 3 years	Replaced with a new one
Smoothing capacitor	5 years	Replaced with a new one (upon examination)
Circuit breaker, relay	—	Decides upon examination
Fuse	10 years	Replaced with a new one
Aluminum capacitors on the printed circuit board	5 years	Replaced with a new circuit board (upon examination)

Extracted from "Periodic Inspection of General-purpose Inverters" published by the Japan Electrical Manufacturers' Association.

Note: The service life of each component greatly varies with its usage environment.

Selecting the capacity (model) of the inverter

Selection

Capacity

Refer to the applicable motor capacities listed in the standard specifications. When driving a high-pole motor, special motor, or multiple motors in parallel, select such an inverter that the sum of the motor rated current multiplied by 1.05 to 1.1 is less than the inverter's rated output current value.

Acceleration/deceleration times

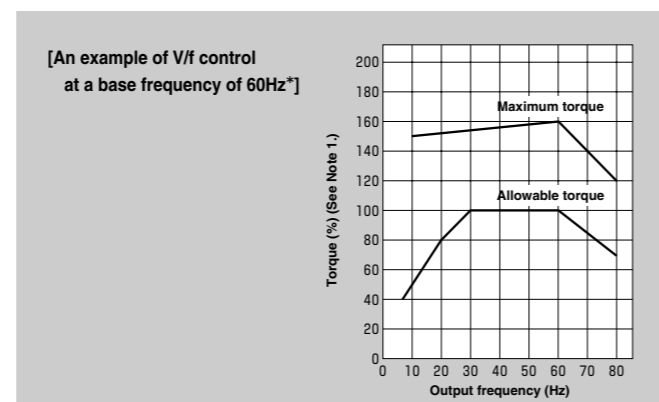
The actual acceleration and deceleration times of a motor driven by an inverter are determined by the torque and moment of inertia of the load, and can be calculated by the following equations.

The acceleration and deceleration times of an inverter can be set individually. In any case, however, they should be set longer than their respective values determined by the following equations.

Acceleration time	$t_a = \frac{(J_M + J_L) \times \Delta N}{9.56 \times (T_M - T_L)} \text{ (sec.)}$
Deceleration time	$t_d = \frac{(J_M + J_L) \times \Delta N}{9.56 \times (T_B + T_L)} \text{ (sec.)}$
Conditions	<p>J_M : Moment of inertia of motor (kg·m²) J_L : Moment of inertia of load (converted into value on motor shaft) (kg·m²) ΔN : Difference in rotating speed between before and after acc. or dce. (min⁻¹) T_L : Load torque (N·m) T_M : Motor rated torque × 1.2-1.3 (N·m) ∴ V/f control : Motor rated torque × 1.5 (N·m) ∴ Vector operation control T_B : Motor rated torque × 0.2 (N·m) When a braking resistor or a braking resistor unit is used: Motor rated torque × 0.8-1.0 (N·m)</p>

Allowable torque characteristics

When a standard motor is combined with an inverter to perform variable speed operation, the motor temperature rises slightly higher than it normal does during commercial power supply operation. This is because the inverter output voltage has a sinusoidal (approximate) PWM waveform. In addition, the cooling becomes less effective at low speed, so the torque must be reduced according to the frequency. When constant-torque operation must be performed at low speeds, use a Toshiba VF motor designed specifically for use with inverters.



Note 1. 100% torque is based on the rotating speed of a motor operated at 60Hz. Starting torque lowers to some extent if the motor runs on commercial power. So, check the characteristic of the machine to drive.

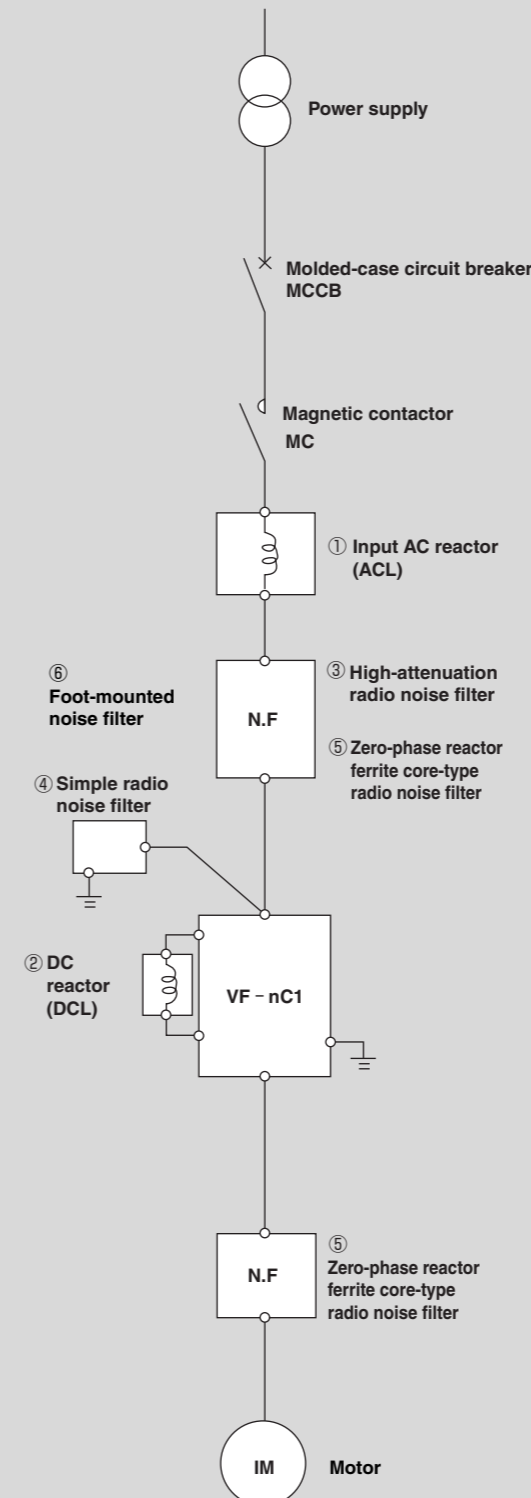
Note 2. The allowable torque at a base frequency of 50Hz can be calculated approximately by multiplying the allowable torque at 60Hz by 0.8.

Starting characteristics

When a motor is driven by an inverter, its operation is restricted by the inverter's overload current rating, so the starting characteristic is different from those obtained from commercial power supply operation.

Although the starting torque is smaller with an inverter than with the commercial power supply, a high starting torque can be produced at low speeds by adjusting the V/f pattern torque boost amount. (150% max., though this rate varies with the motor characteristics.) When a larger starting torque is necessary, select an inverter with a larger capacity and examine the possibility of increasing the motor capacity.

Optional external devices



No.	Device	Function, Purpose, etc.	Refer to
①	Input AC reactor	Used to improve the input power factor, reduce the harmonics, and suppress external surge on the inverter power source side. Install when the power capacity is 200kVA or more and 10 times or more than the inverter capacity or when a distorted wave generation source such as a thyristor unit or a large-capacity inverter is connected in the same distribution system.	P.13
②	DC reactor	Improves the power factor more than the input reactor. When the facility applying the inverter requires high reliability, it is recommended to use the DC reactor with an input reactor effective for external surge suppression.	
③	High-attenuation filter (LC filter) NF type manufactured by Soshin Denki Co., Ltd.	These type of filters are not necessary for single-phase 200V (built-in EMI noise filter) model. The built-in filter meets EN55011 Group1 Class B. ● Effective to prevent interference with audio equipment used near the inverter. ● Install on the input side of the inverter. ● Provided with wide-range attenuation characteristics from AM radio bands to near 10MHz. ● Use when equipment readily affected by noise is installed in the peripheral area.	P.13
④	Simple filter (capacitive filter) Capacitor type, manufactured by Malcon Electronics, Co., Ltd.	● Effective to prevent interference with audio equipment used near the inverter. ● Install on the input side of the inverter. ● Attenuation characteristic is available only in a specific frequency and. Effective in suppressing noise in a specific AM radio station (e.g., weak radio waves in mountainous regions). ● Increases leakage current because this is a capacitor-based filter. When the power supply is equipped with an ELCB, avoid using too many filters of this type.	—
⑤	Zero-phase reactor (inductive filter) Ferrite core type manufactured by Soshin Denki Co., Ltd.	● Effective to prevent interference with audio equipment used near the inverter. ● Effective in noise reduction on both input and output sides of the inverter. ● Provided with attenuation characteristics of several dB in frequencies from AM radio bands to 10MHz. ● For noise countermeasures, insert on the secondary side of the inverter.	—
⑥	Compliant with EMC directives Foot-mounted type noise reduction filter	This noise filter complies with European EMC Directive. High-attenuation EMI noise filter requiring only small space; mounted on the rear side of the inverter. This filter can be installed to conform to the EMC standard EN55011 Group1, class A. (These type of filters are not necessary for single-phase 200V (built-in EMI noise filter) model. The built-in filter meets EN55011 Group1 Class B.)	—
⑦	Remote panel	Provided with built-in frequency indicator, frequency setting device, and RUN-STOP (forward/reverse) switch. (Model: CBVR-7B1)	P.14
⑧	DIN rail kit <small>Soon to be released</small>	Use to mount the inverter on DIN rails.	—
⑨	Parameter writer	Use this unit for batch read, batch copy, and batch writing of setting parameters. (Model: PWU001Z)	
⑩	Extension panel	Extended operation panel kit provided with LED indication section, RUN/STOP key, UP/DOWN key, Monitor key and Enter key. (Model: RKP001Z)	
⑪	RS485 communication converter unit	Use to connect a personal computer for data communication with up to 64 units. (Model: RS4001Z)	P.14
⑫	RS232C communication converter unit	Use to connect a personal computer for data communication. (Model: RS2001Z)	
⑬	Cable with a built-in RS232C communication converter	Optional cable with a built-in RS232C communication converter (Model: RS20035)	

Device: Input AC reactor (ACL)

External dimensions and connections

Type	Rating	Inverter type	Dimensions (mm)							Drawing	Terminals	Approx. weight (kg)
			A	B	C	D	E	F	G			
PFLS2002S	1-phase 200V 2.0A-50/60Hz	VFNC1S-2002P, VFNC1S-2002PL	80	55	115	63	45	5	45	A	Harmonica terminal M3.5	0.85
PFL2001S	3-phase 200V 1.7A-50/60Hz	VFNC1-2001P, VFNC1-2002P	105	65	115	90	55	5	40		Harmonica terminal M3.5	1.0
PFL2005S	3-phase 200V 5.5A-50/60Hz	VFNC1-2004P, VFNC1S-2007P, VFNC1S-2004P, VFNC1S-2004PL, VFNC1S-1001P, VFNC1S-1002P	105	65	115	90	55	5	40	Harmonica terminal M3.5	1.2	
PFL2011S	3-phase 200V 11A-50/60Hz	VFNC1-2015P, VFNC1-2022P, VFNC1S-2007P, VFNC1S-2007PL	130	70	140	115	60	5	50	Harmonica terminal M4	2.3	
PFL2018S	3-phase 200V 18A-50/60Hz	VFNC1S-2015P, VFNC1S-2022P, VFNC1S-2015PL, VFNC1S-2022PL, VFNC1S-1004P, VFNC1S-1007P	130	70	140	115	60	5	50	Harmonica terminal M4	2.5	

※PFL 2002S has 4 terminals.

DC reactor (DCL)

DC reactors cannot be used with any single-phase 100V or single-phase 200V model (built-in EMI noise filter). Use an input reactor.

Type	Rating (A)	Inverter type	Dimensions (mm)								Drawing	Terminals	Approx. weight (kg)
			W	H	D	X	Y	d1	d2				
DCL-2002	2	VFNC1-2001P, VFNC1S-2002P	59	37	35	51	—	—	—	A	Crimp terminal V1.25 - 3.5	0.2	
DCLS-2002	2.5	VFNC1S-2002P	79	50	44	66	—	—	—		Crimp terminal V1.25 - 3.5	0.6	
DCL-2007	7	VFNC1-2004P, VFNC1-2007P, VFNC1S-2004P	92	65	70	82	—	—	—	B	Crimp terminal V2 - 3.5	1.2	
DCL-2022	14	VFNC1-2015P, VFNC1-2022P, VFNC1S-2007P	86	110	80	71	64	—	—		M4	2.2	
DCL-2037	22.5	VFNC1S-2015P, VFNC1S-2022P	86	110	85	71	70	—	—	M4	2.5		

High-attenuation radio noise reduction filter

Note) ① Noise filter should be connected to the primary-side of inverter.
② Output cable should be kept away from input cable.

Radio noise filter type	Rating (A)	Inverter type	Dimensions (mm)											Approx. weight (kg)		
			A	B	C	E	F	G	H	J	K	M	N		P	
NF3005A-MJ	5	VFNC1-2001P~2007P, VFNC1S-2002P, VFNC1S-1001P														1.0
NF3015A-MJ	15	VFNC1-2015P, 2022P, VFNC1S-2004P~2015P, VFNC1S-1002P, 1004P	174.5	160	145	110	80	32	70	20	45	φ5.5	M4	M4	1.6	
NF3020A-MJ	20	VFNC1S-1007P														
NF3030A-MJ	30	VFNC1S-2022P														

Device: Remote panel CBVR-7B1

External dimensions and connections

Note) The outside dimensions and installation dimensions are the same as those of the former model CBVR-7B, though the meter is different from that on the CBVR-7B.

Note) The length of wire between inverter and remote panel less than 30m.

Parameter writer Extension panel Communication Converter unit (RS485/RS232C)

Parameter writer

Note) Dimensions of extension panel are same as following drawing, but the surface of panel is different.

Extension panel

Communication converter unit RS485/RS232C

Note) Following is RS485 unit. Dimensions of RS232C unit are same as following, but RS232C does not have a connector.

Parameter writer type: PWU001Z
Parameter writer cable type: CAB0011 (1m), CAB0013 (3m), CAB0015 (5m)

Extension panel type: RKP001Z
Extension panel cable type: CAB0011 (1m), CAB0013 (3m), CAB0015 (5m)

RS485 communication converter type: RS4001Z, RS4002Z*
Computer cable type: CAB0025

RS232C communication converter type: RS2001Z
Computer cable type: CAB0025

RS485 cable type: CAB0011 (1m), CAB0013 (3m), CAB0015 (5m)

RS232C cable type: CAB0011 (1m), CAB0013 (3m), CAB0015 (5m)

*Supports up to 8 units. RS4001Z and RS4002Z are different in outside shape.

Cable with a built-in RS232C communication converter

Cable with a built-in RS232C communication converter

Type: RS20035

Side view

To users of our inverters: Our inverters are designed to control the speeds of three-phase induction motors for general industry.

 **Precautions**

- * Read the instruction manual before installing or operating the inverter unit and store it in a safe place for reference.
- * When using our inverters for equipment such as nuclear power control equipment, aviation and space flight control equipment, traffic equipment, and safety equipment, and there is a risk that any failure or malfunction of the inverter could directly endanger human life or cause injury, please contact our headquarters, branch, or office printed on the front and back covers of this catalogue. Such applications must be studied carefully.
- * When using our inverters for critical equipment, even though the inverters are manufactured under strict quality control always fit your equipment with safety devices to prevent serious accident or loss should the inverter fail (such as failure to issue an inverter trouble signal).
- * Do not use our inverters for any load other than three-phase induction motors.
- * None of Toshiba, its subsidiaries, affiliates or agents, shall be liable for any physical damages, including, without limitation, malfunction, anomaly, breakdown or any other problem that may occur to any apparatus in which the Toshiba inverter is incorporated or to any equipment that is used in combination with the Toshiba inverter. Nor shall Toshiba, its subsidiaries, affiliates or agents be liable for any compensatory damages resulting from such utilization, including compensation for special, indirect, incidental, consequential, punitive or exemplary damages, or for loss of profit, income or data, even if the user has been advised or apprised of the likelihood of the occurrence of such loss or damages.

For further information, please contact your nearest Toshiba Representative or International Operations-Producer Goods.
The information in this brochure is subject to change without notice.

In Touch with Tomorrow
TOSHIBA

TOSHIBA CORPORATION
Industrial and Power Systems & Service Company

Overseas Sales & Marketing Department
Electrical Apparatus & Measurement Division
1-1, Shibaura 1-chome, Minato-ku,
Tokyo 105-8001, Japan
Tel.: (03)3457-4911 Fax.: (03)5444-9268